



Installation positions

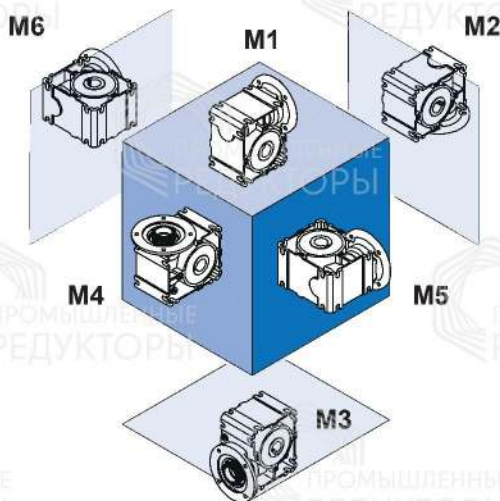
Installation positions

NORD UNIVERSAL worm gear units are suitable for all installation positions. Separate sealing of each stage of the gear unit and the design of the housing enables a uniform oil quantity for all installation positions.

For gear units with direct motor mounting, the installation position must be stated, in order to install the optional vent in the correct position at the factory.

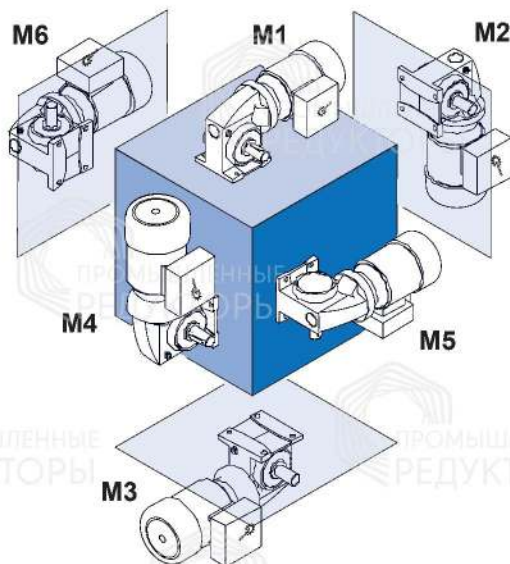
Please give us a call if you have any special questions!

SI worm gear units



SMI worm gear motors

Version VX



Version AZ

